

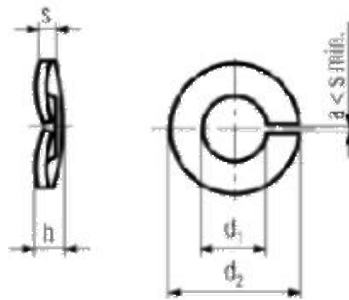


## TRANSHOW INDUSTRY LIMITED

GAOYANG RD, ZHOUSHAN VILLAGE, JIANGSHAN TOWN  
YINZHOU DISTRICT, NINGBO CITY, 315100 CHINA  
Tel: +86-574-8736.7873 Fax: +86-574-8736.4349

TRANSHOW [www.transhow.net](http://www.transhow.net) Email: [transhow@transhow.net](mailto:transhow@transhow.net)

### DIN128 SPRING LOCK WASHERS



All measurements in millimeters (mm)

$d_1$	for screw size	$d_2$	s	h min	h max
2.1	M2	4.4	0.5	0.70	0.9
2.6	M2.5	5.1	0.6	0.90	1.1
3.1	M3	6.2	0.7	1.10	1.3
3.6	M3.5	6.7	0.7	1.10	1.3
4.1	M4	7.6	0.8	1.20	1.4
5.1	M5	9.2	1.0	1.50	1.7
6.1	M6	11.8	1.3	2.00	2.2
8.1	M8	14.8	1.6	2.45	2.8
10.2	M10	18.1	1.8	2.85	3.2
12.2	M12	21.1	2.1	3.35	3.7
14.2	M14	24.1	2.4	3.90	4.3
16.2	M16	27.4	2.8	4.50	5.1
18.2	M17	29.4	2.8	4.50	5.1
20.2	M20	33.6	3.2	5.10	5.9
22.2	M21	35.9	3.2	5.10	5.9
24.5	M24	40.0	4.0	6.50	7.5
30.5	M30	48.2	6.0	9.50	10.5